

Rozměry v mm
Maße in mm
Dimensions in mm

IMPRESSION R 2g S 71.60.34.21

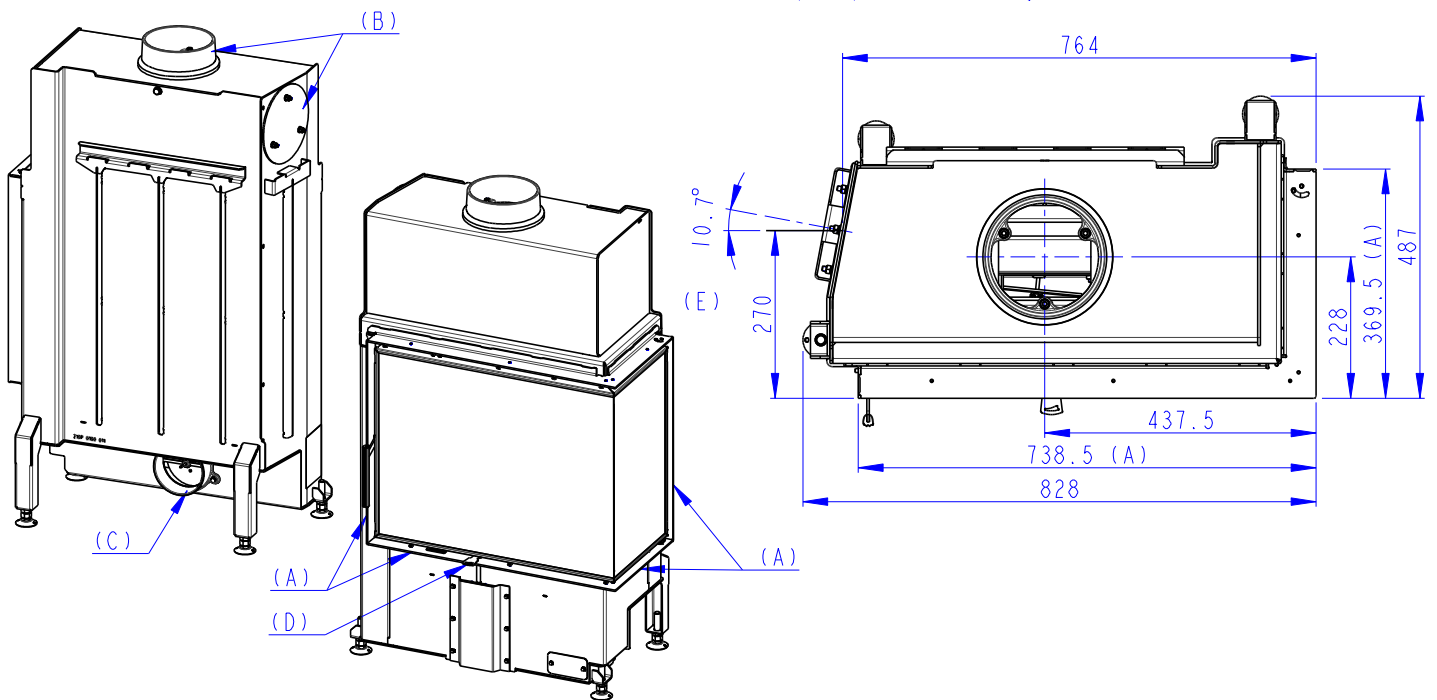
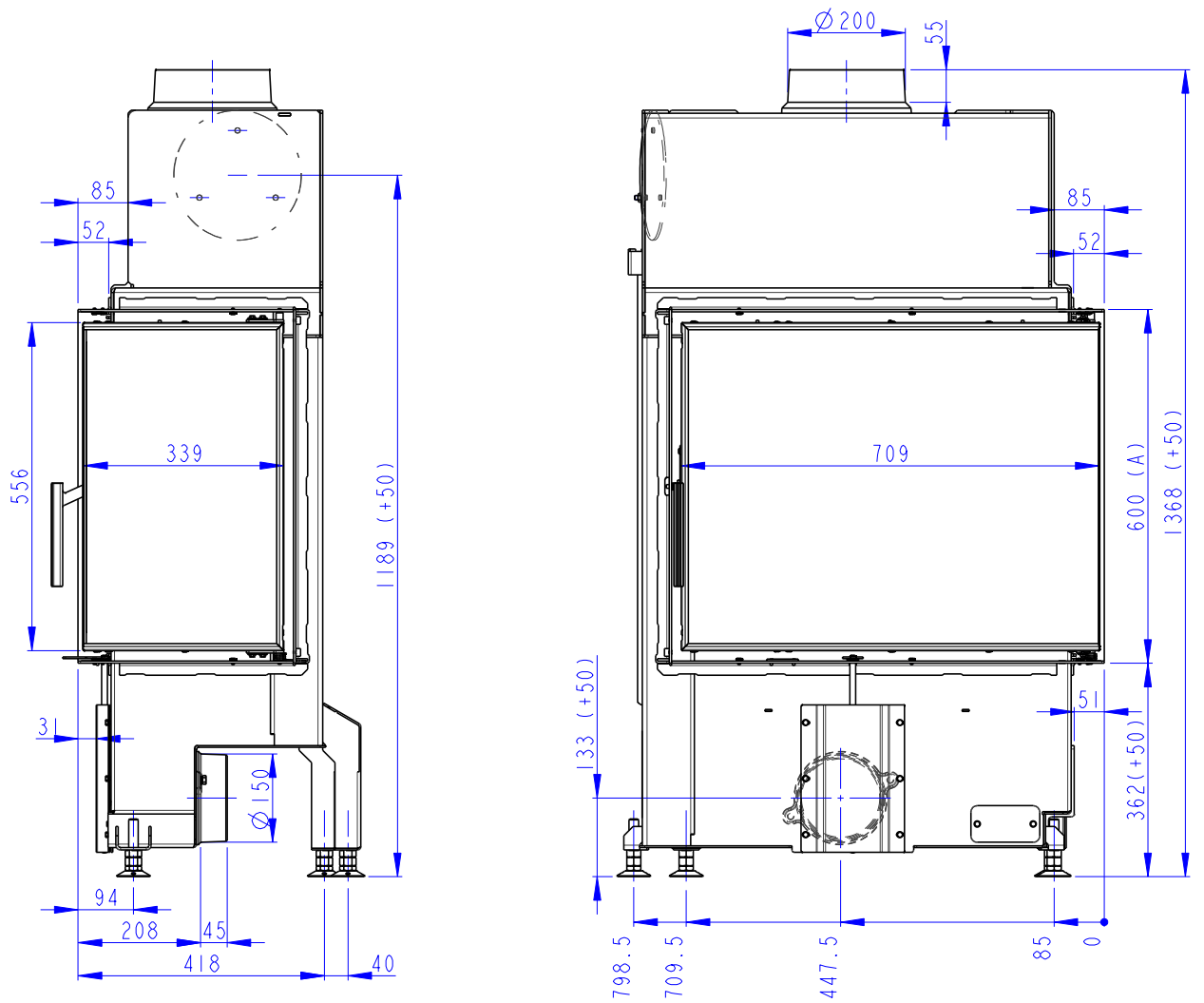
133kg

IMPRESSION R 2g S 71.60.34.21 + IR2LG TOP01

205kg

IMPRESSION R 2g S 71.60.34.21 + IR2LG TOP02

195kg

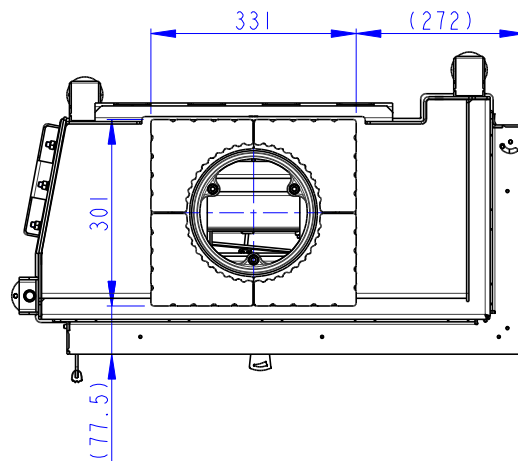
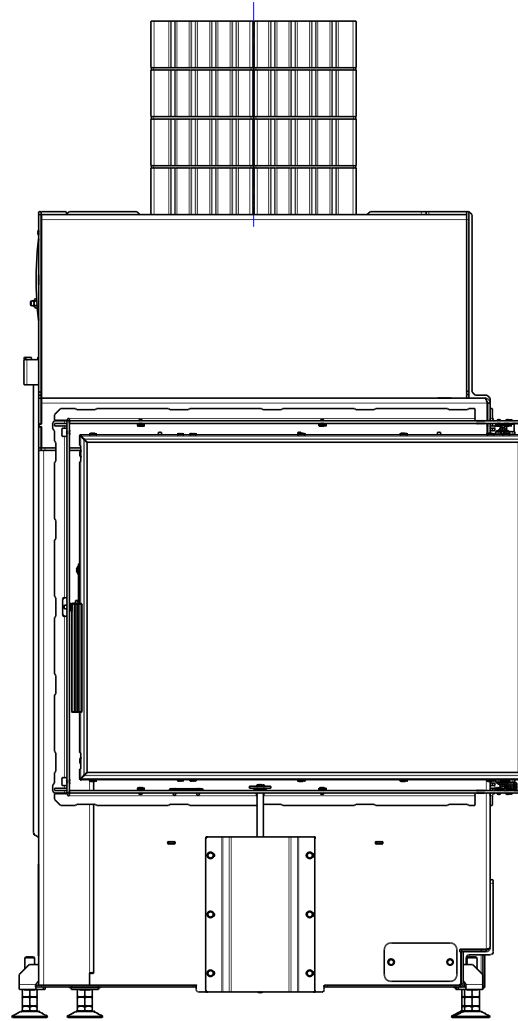
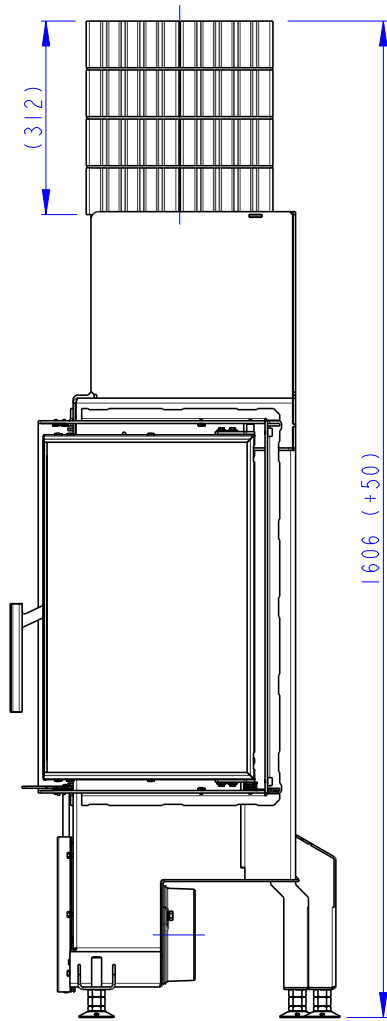


- (A) Zastavbovy rozmer / Baumaße / In-built dimension
- (B) Litinový odvod kouře / Cast iron spigot / Der gusseiserne Rauchabgang
- (C) Centralni privod vzduchu / Central air inlet / Zentralluftzufuhr
- (D) Primarni a sekundarni vzduch / Primary and secondary air / Primärluft und Sekundärluft

Rozměry v mm
Maße in mm
Dimensions in mm

IMPRESSION R 2g S 71.60.34.21 + AKKUM KV 04
+ AKKUM KV 04 + IR2LG TOP01
+ AKKUM KV 04 + IR2LG TOP02

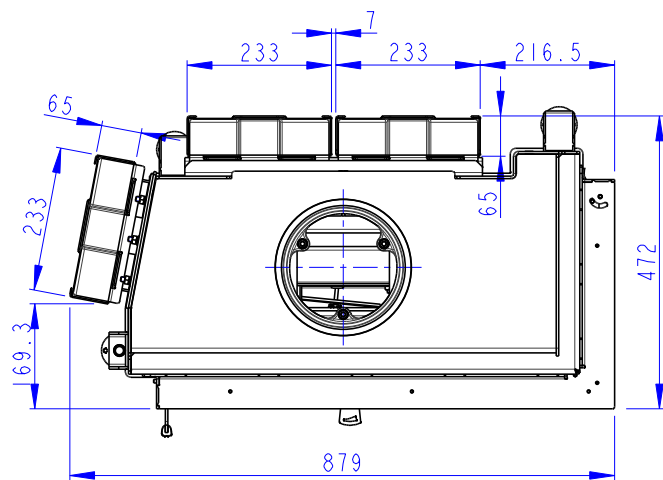
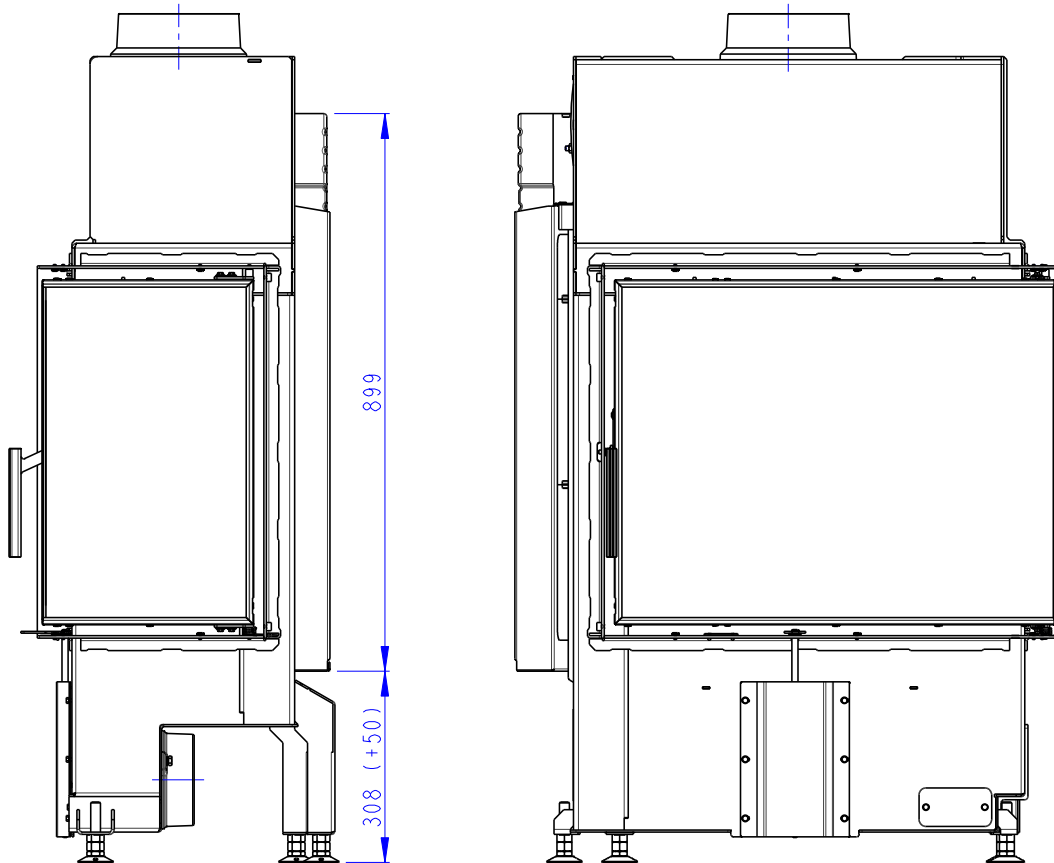
203kg
275kg
265kg



Rozměry v mm
Maße in mm
Dimensions in mm

IMPRESSION R 2g S 71.60.34.21 + AKKUM KV 06
+ AKKUM KV 06 + IR2LG TOP01
+ AKKUM KV 06 + IR2LG TOP02

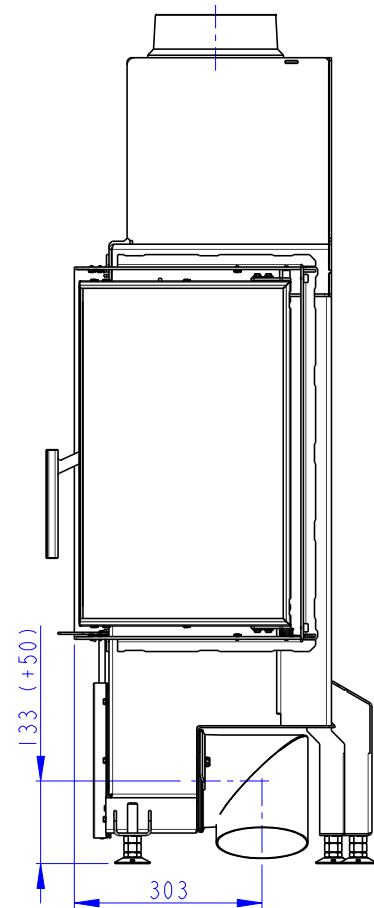
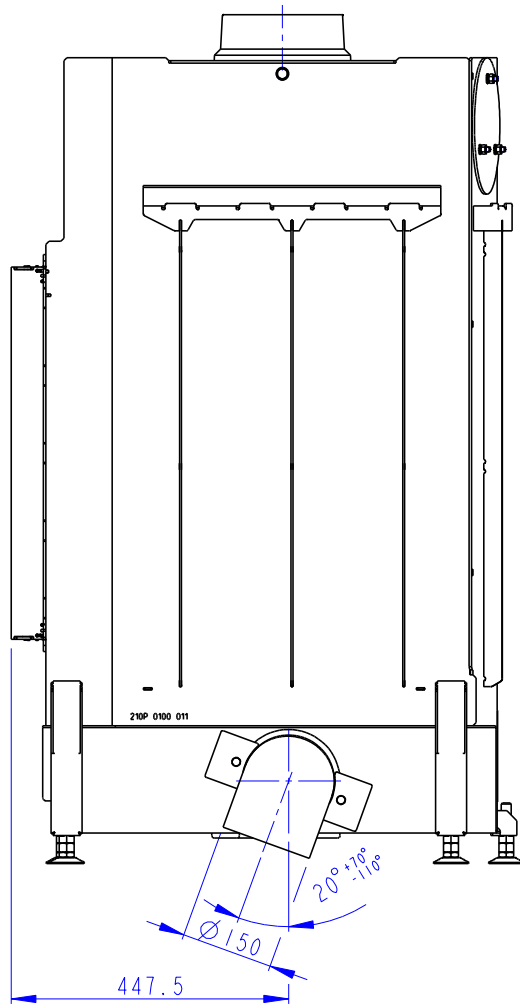
271kg
343kg
333kg



Rozmery v mm
Maße in mm
Dimensions in mm

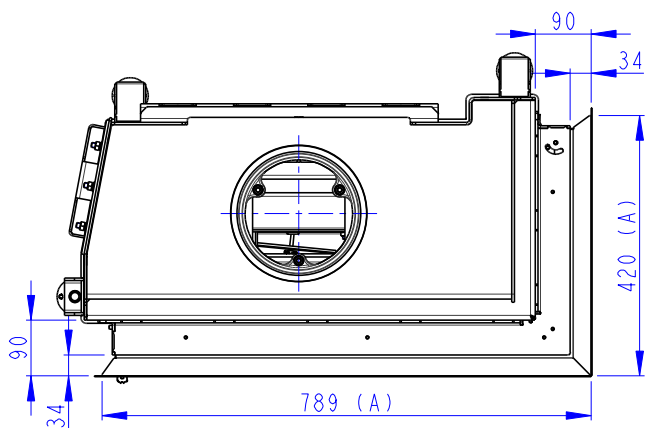
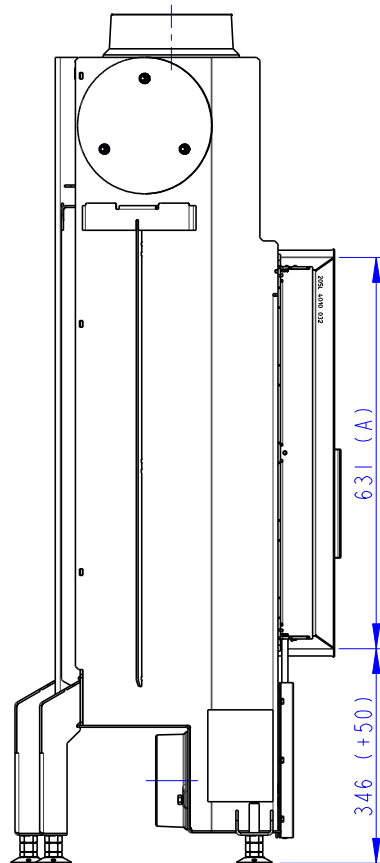
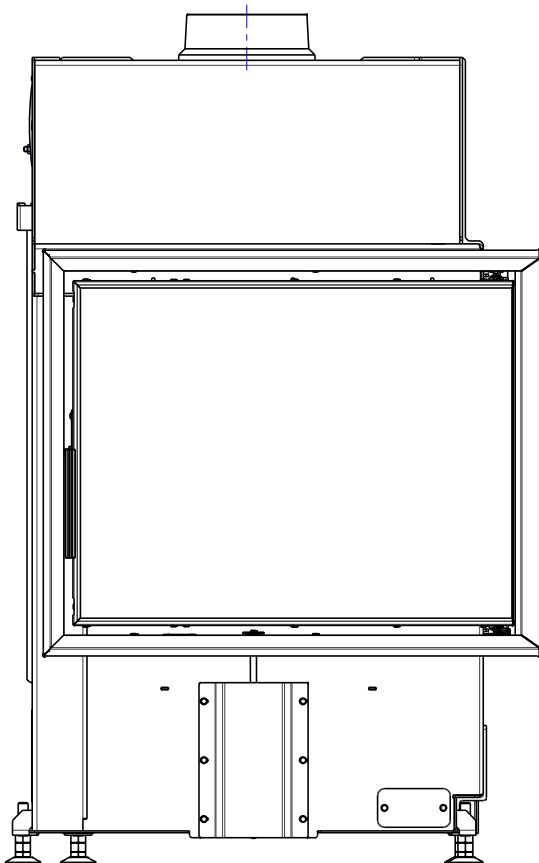
IMPRESSION R 2g S 71.60.34.21 + 12 AIRBOX 01
+ 12 AIRBOX 01 + IR2LG TOP01
+ 12 AIRBOX 01 + IR2LG TOP02

135kg
207kg
197kg



Rozměry v mm
 Maße in mm
 Dimensions in mm

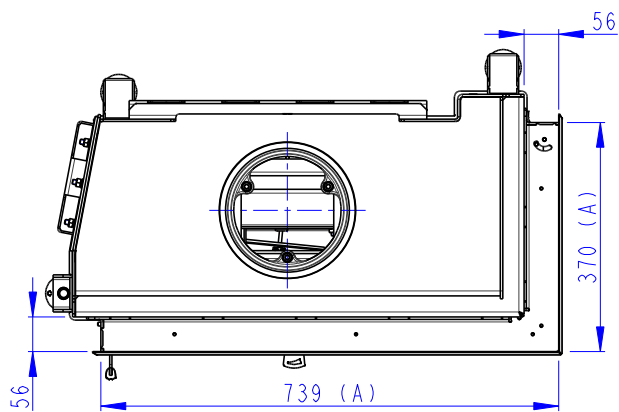
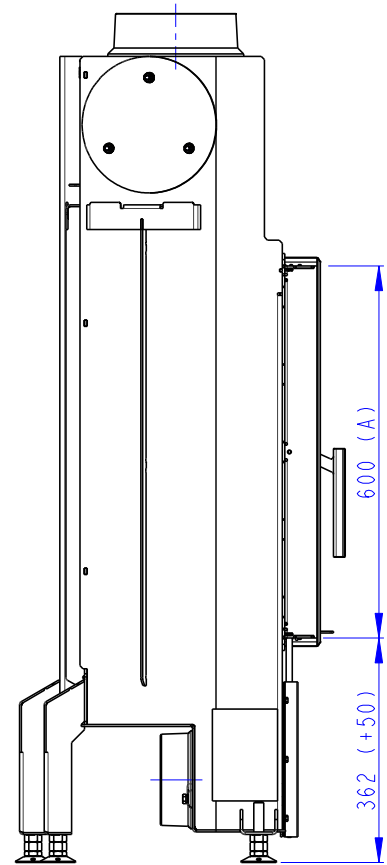
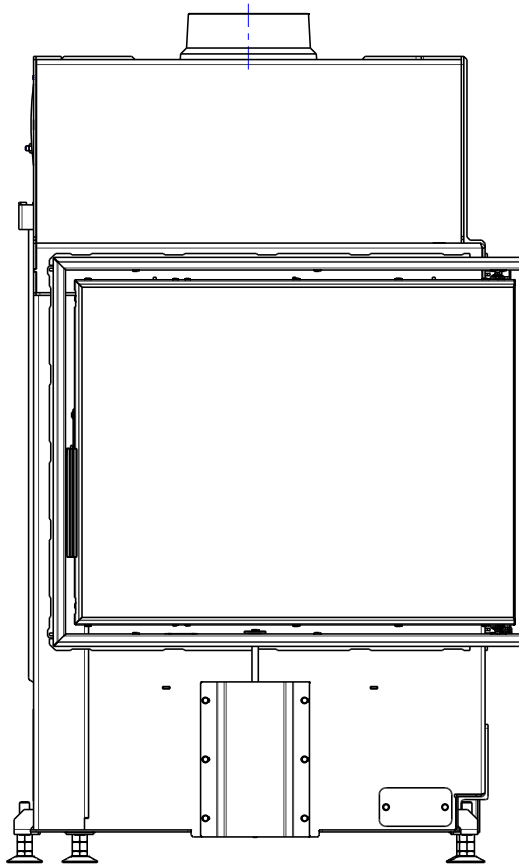
IMPRESSION R 2g S 71.60.34.21 + IR2SG RAM04 136.5kg
 + IR2SG RAM04 + IR2LG TOP01 208.5kg
 + IR2SG RAM04 + IR2LG TOP02 198.5kg



(A) Zastavbovy rozmer / Baumaße / In-built dimension

Rozměry v mm
Maße in mm
Dimensions in mm

IMPRESSION R 2g S 71.60.34.21 + IR2SG RAM06 135.3kg
+ IR2SG RAM06 + IR2LG TOP01 207.3kg
+ IR2SG RAM06 + IR2LG TOP02 197.3kg



(A) Zastavbovy rozmer / Baumaße / In-built dimension

